

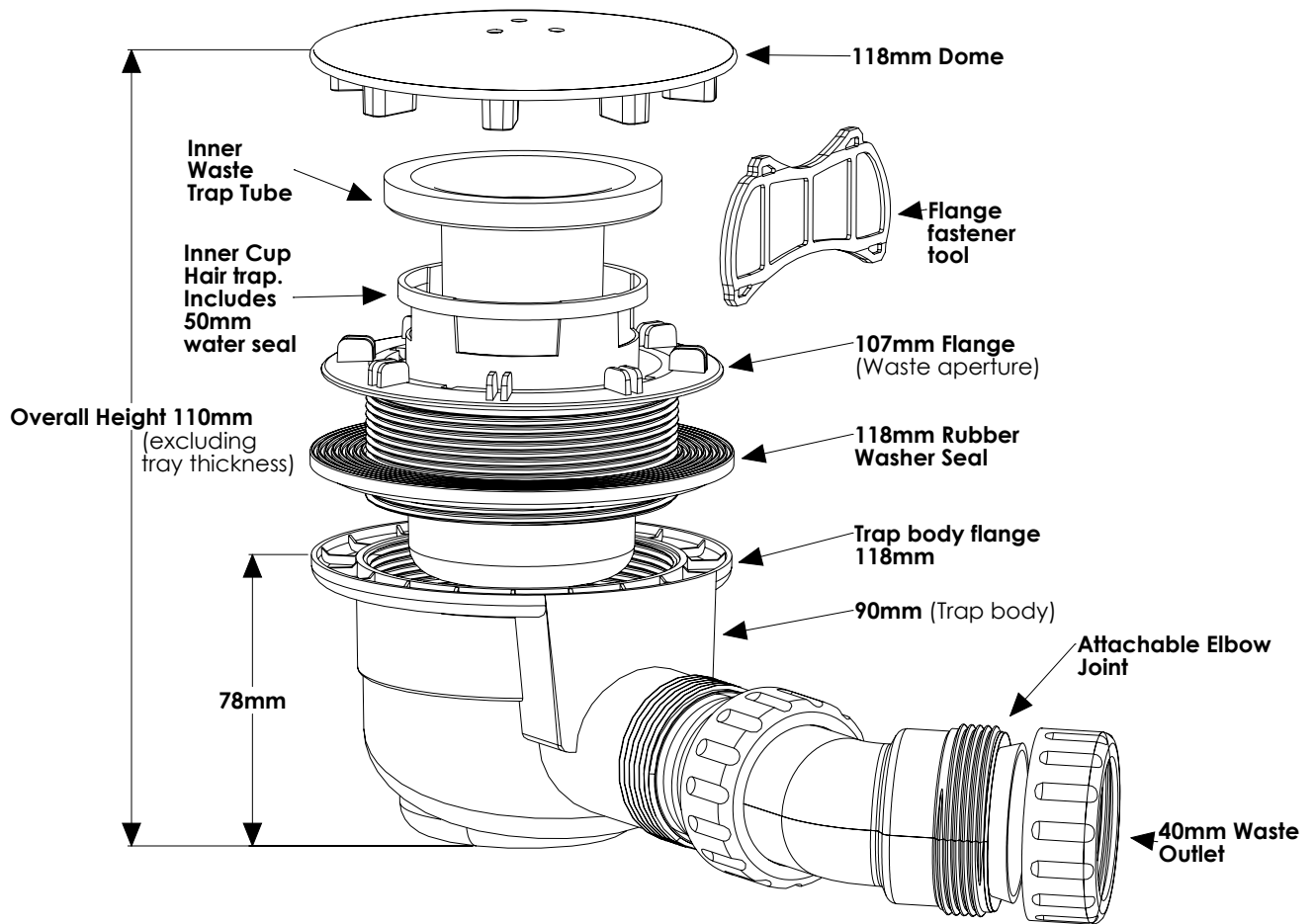


90mm WASTE



DRAWING AND INSTALLATION

DRAWING



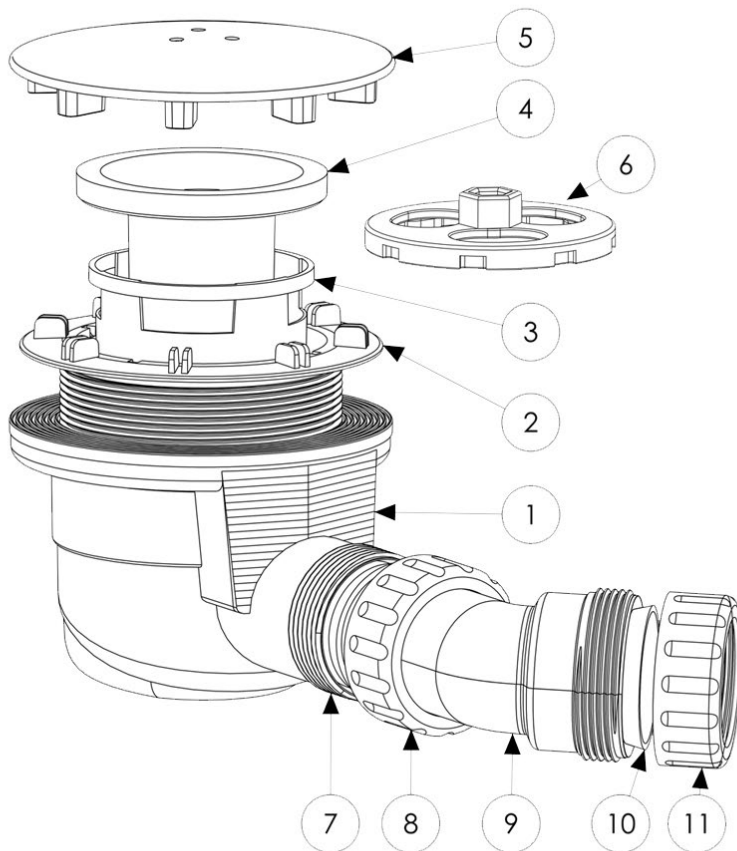
INSTALLATION

A

1. Ensure all parts are present prior to installation.
2. Keep the conical seal (10) and the end nut (11) separate. Attach O-ring (7) with the screwing nut (B) and screw into the body (1).
3. Attach the end nut (11) onto the drainage pipe, followed by the conical seal (10). Ensure the chamfered edge is facing the body (1).
4. Insert the drainage pipe into the 45 ° elbow (9) and screw the end nut (11) in place. Ensure the conical seal (10) is sandwiched between to create a tight seal.

B

1. Apply anti-mould silicone sealant to the underside of the flange (2) where it meets the tray.
2. Screw the flange (2) into the body (1), using the tool (6). Seal the body (1) to the underside of the tray using an anti-mould silicone sealant. NOTE: Ensure a good fix is achieved, do not overtighten. Clean away all excess sealant.
3. Fit the inner cup (3) together with the inner tube (4) then insert the assembly into the flange (2) and inside the waste body (1). Ensure the assembly fits in the flange (2) securely.
4. Fit the chrome cap (5) securely on to the location points on the flange (2) and perform a water test to check for leaks.



MAINTENANCE: Remove the cap (5). Remove the inner tube (4) together with the inner cup (3) from inside the flange (2). Separate the two parts then bin any debris. To re-insert the parts follow steps B3 and B4.



DOLPHIN

Dolphin Solutions
Southpoint, Compass Park,
Junction Road
Bodiam, TN32 5BS,
United Kingdom

T +44 (0) 1424 202 224
specifications.uk@dolphinsolutions.com
dolphinsolutions.com
© Dolphin Solutions

Carbon
Neutral
Britain™

