



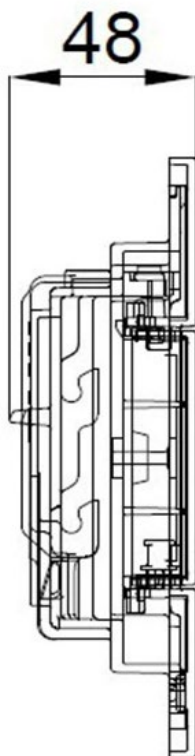
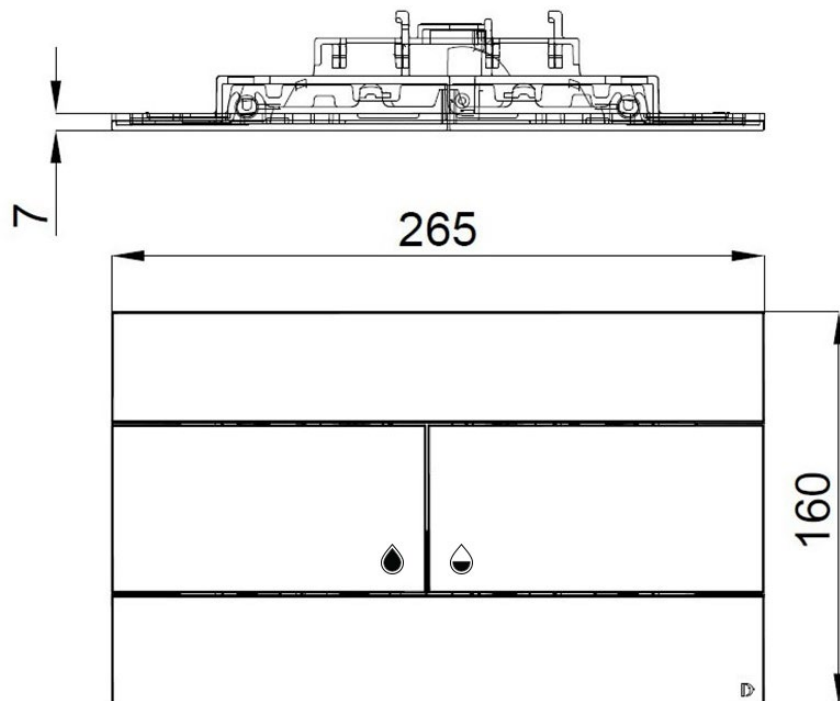
DB5560.M

# DOLPHIN FLUSH PLATE

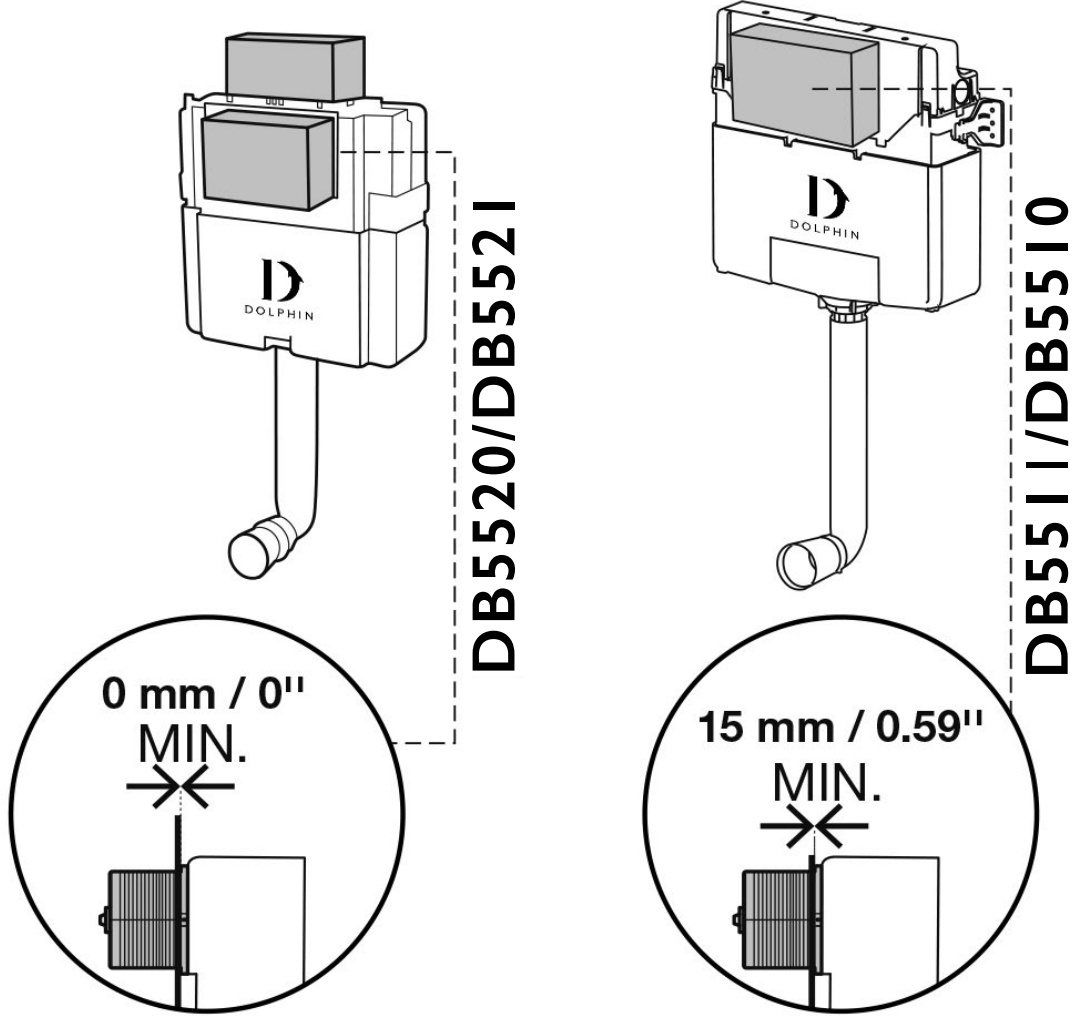


INSTALLATION GUIDE

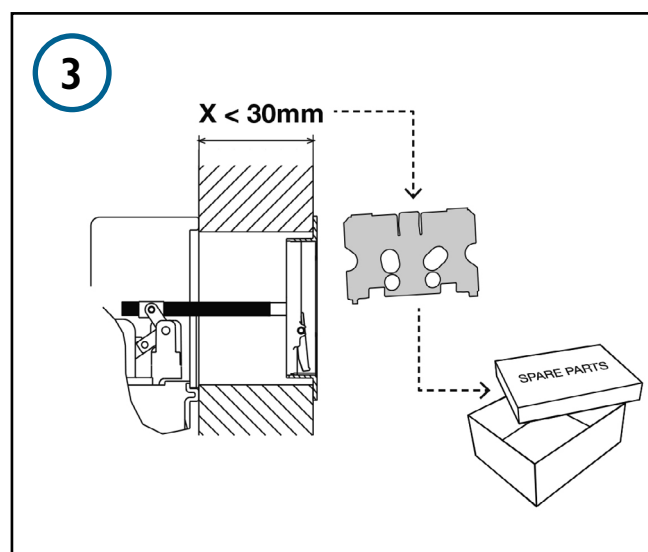
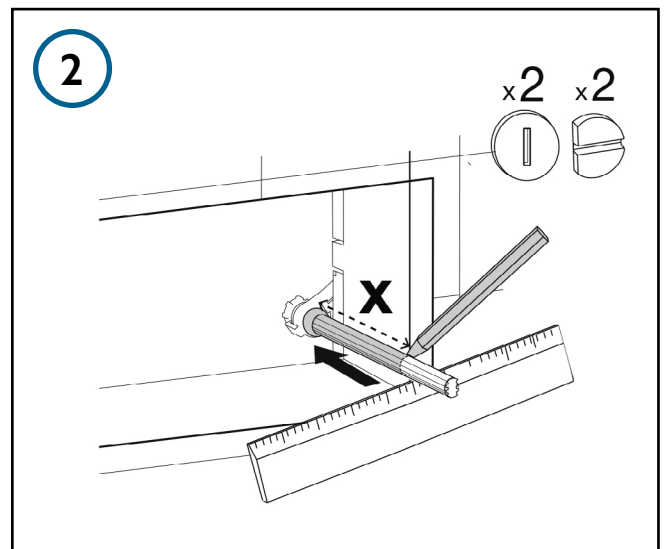
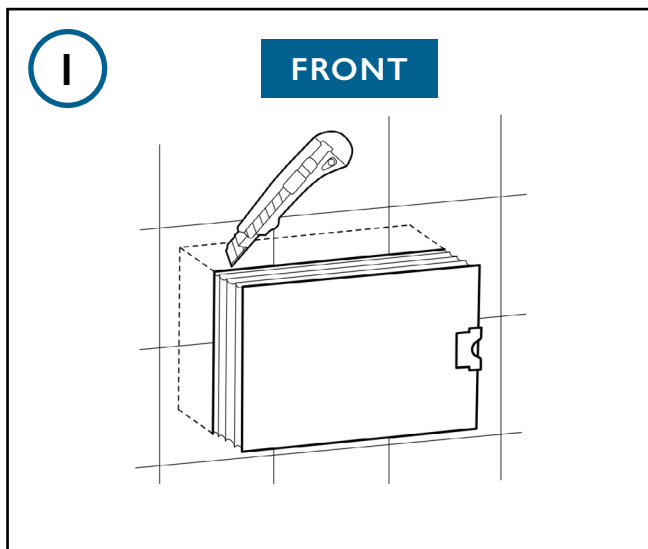
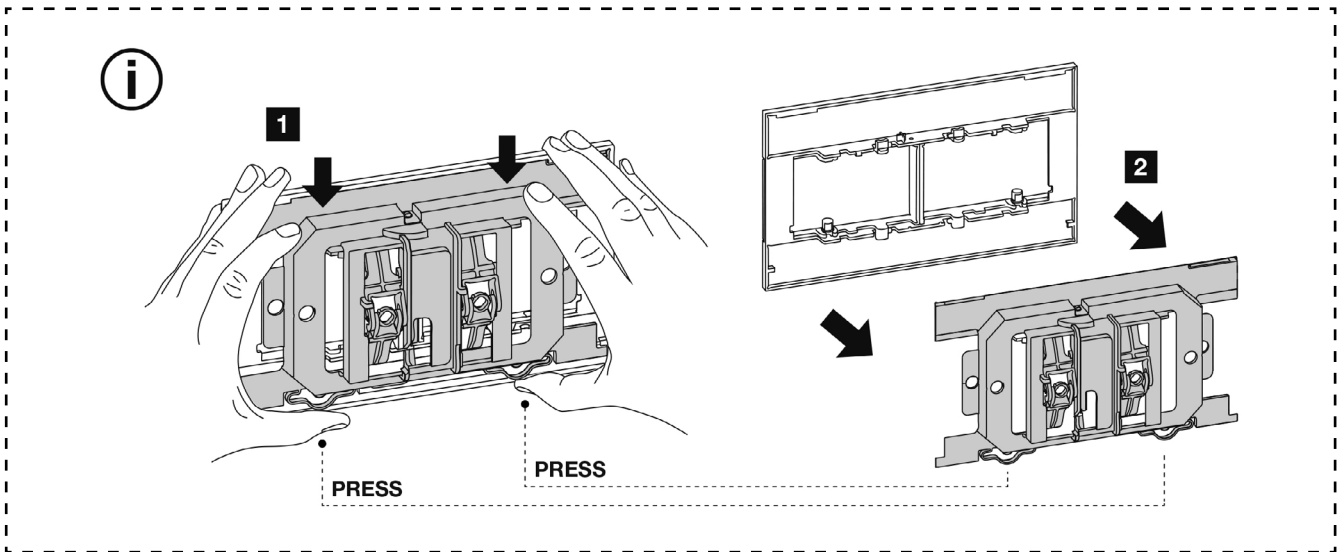
# DIMENSIONS

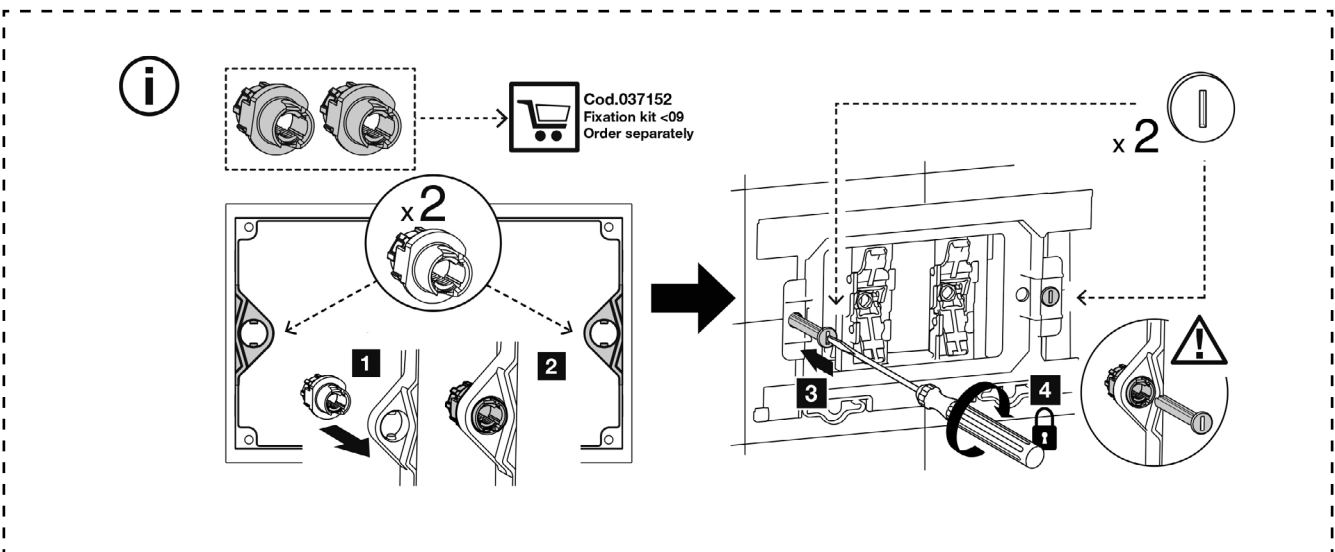
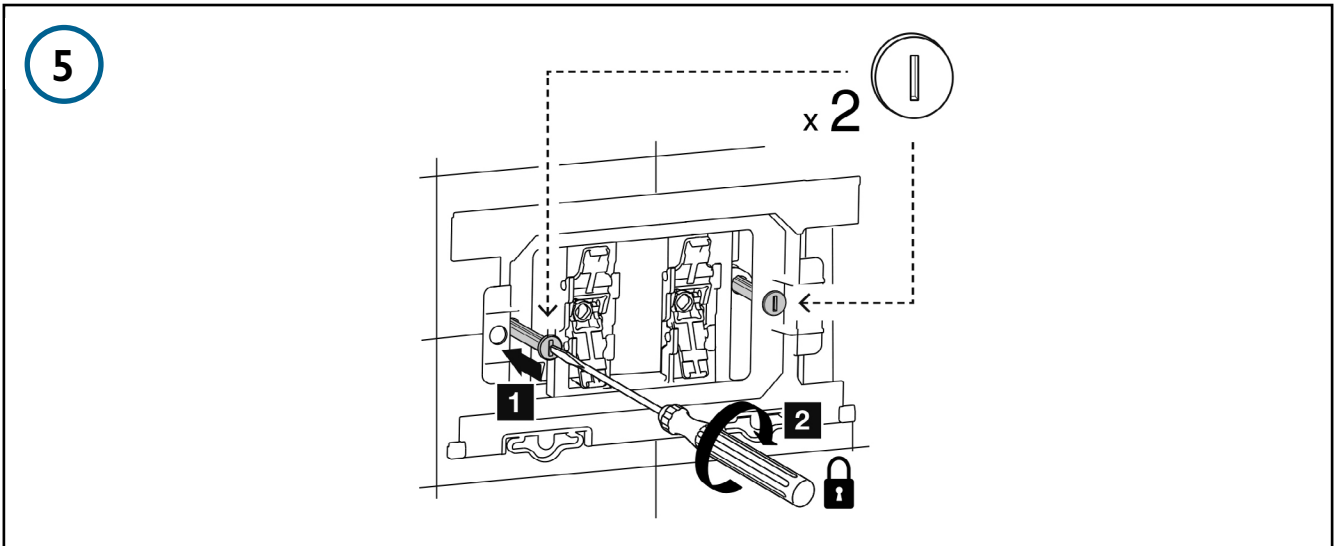
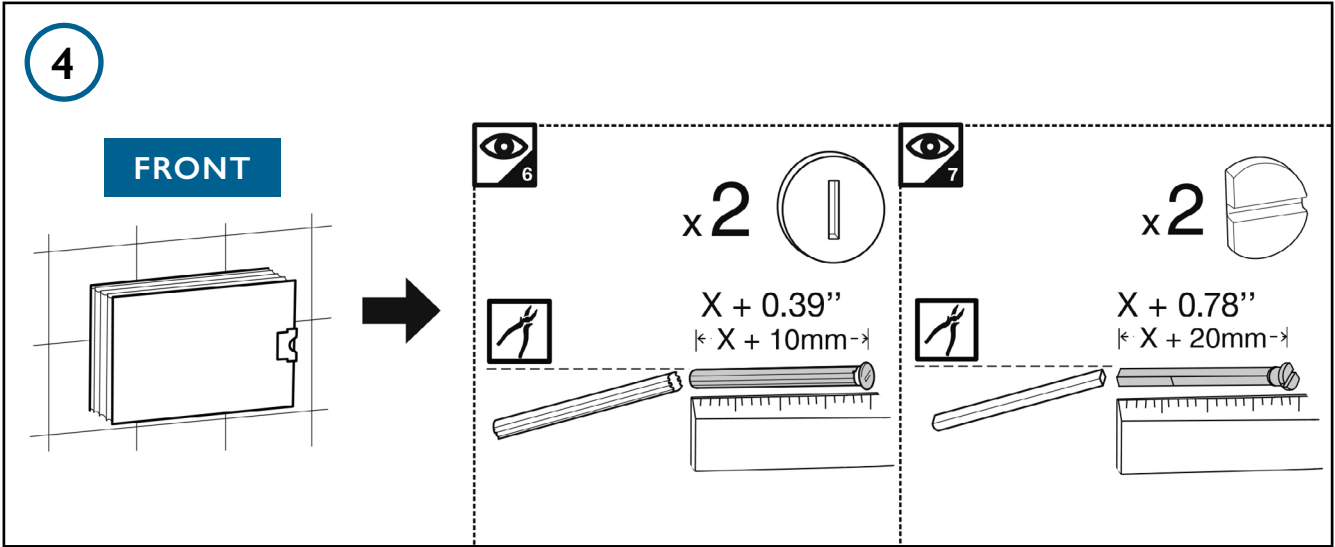


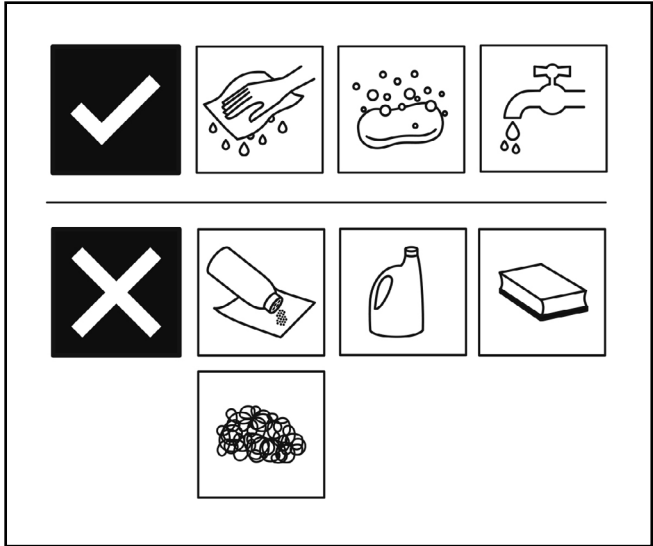
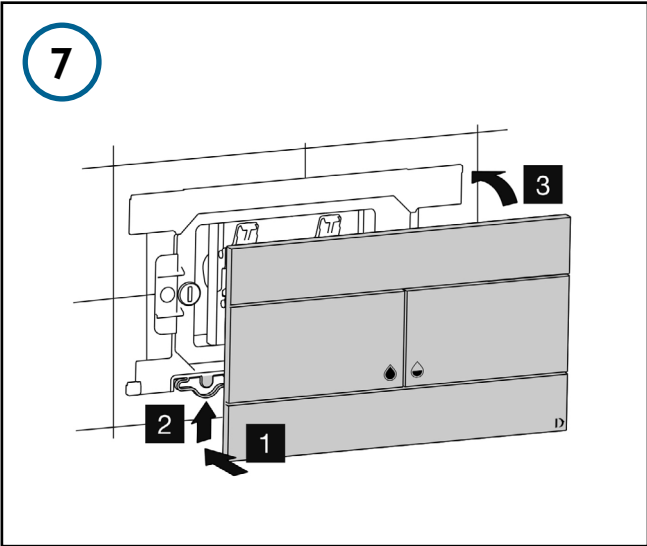
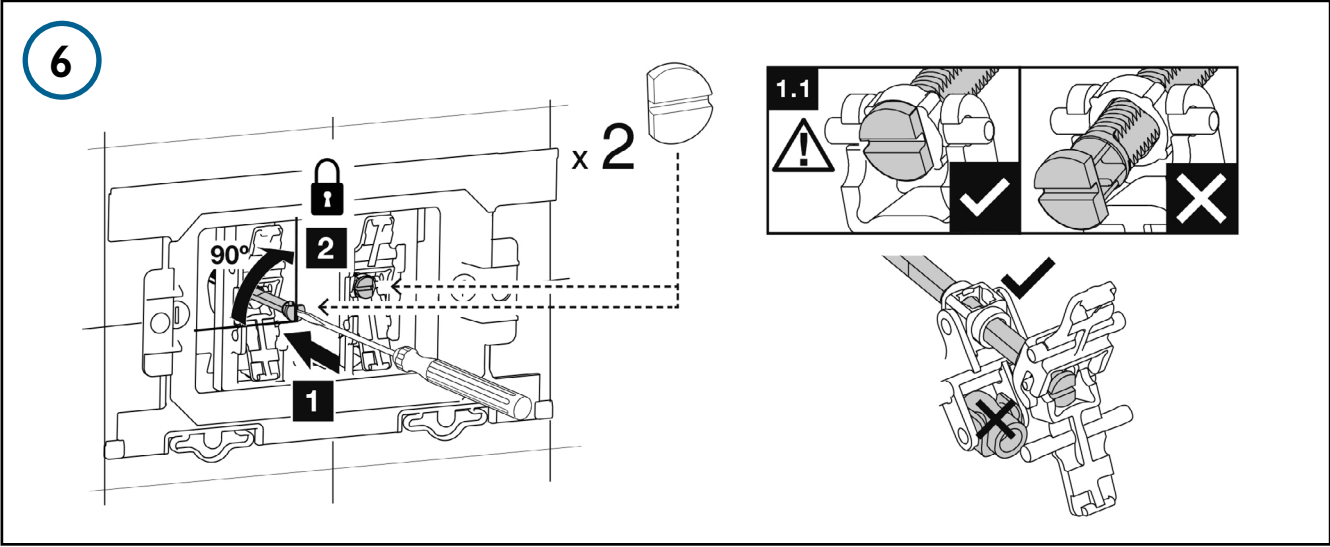
# CISTERNS



# INSTALLATION









DOLPHIN

Dolphin Solutions  
Southpoint, Compass Park,  
Junction Road  
Bodiam, TN32 5BS,  
United Kingdom

T +44 (0)1424 202 224  
[specifications.uk@dolphinsolutions.com](mailto:specifications.uk@dolphinsolutions.com)  
[dolphinsolutions.com](http://dolphinsolutions.com)  
© Dolphin Solutions

Carbon  
Neutral  
Britain™

