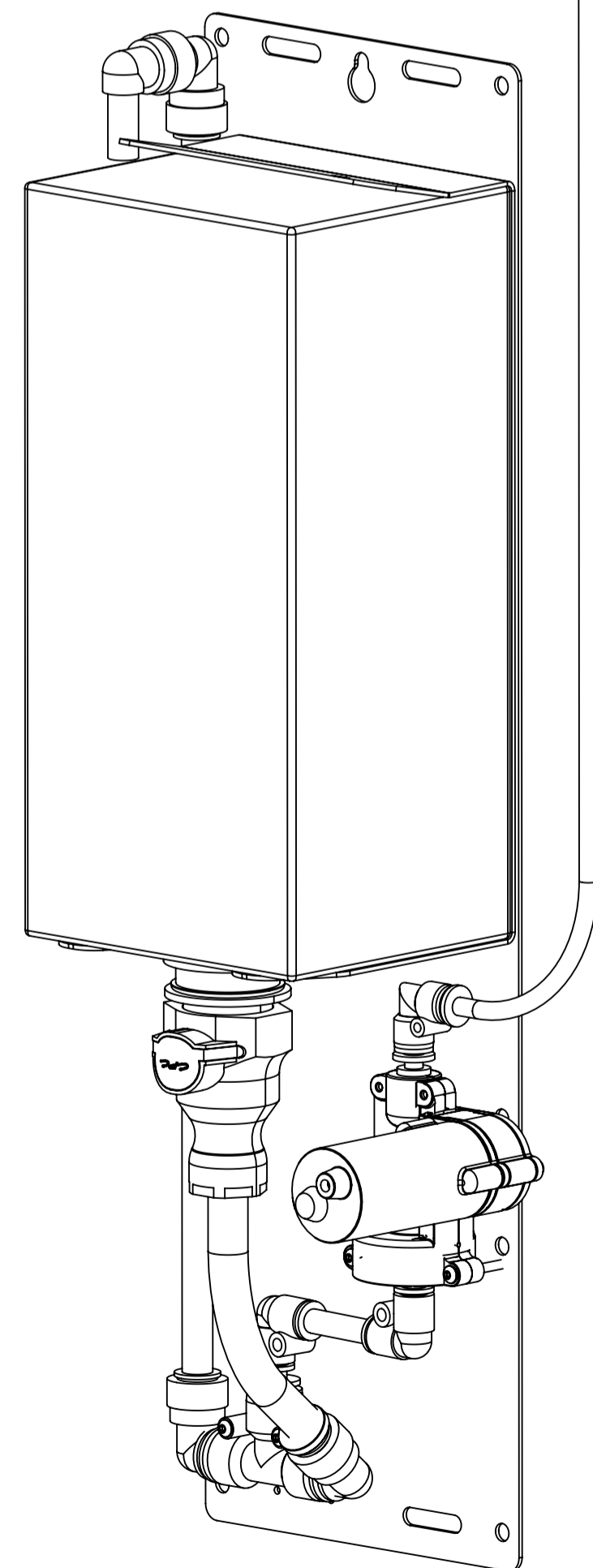
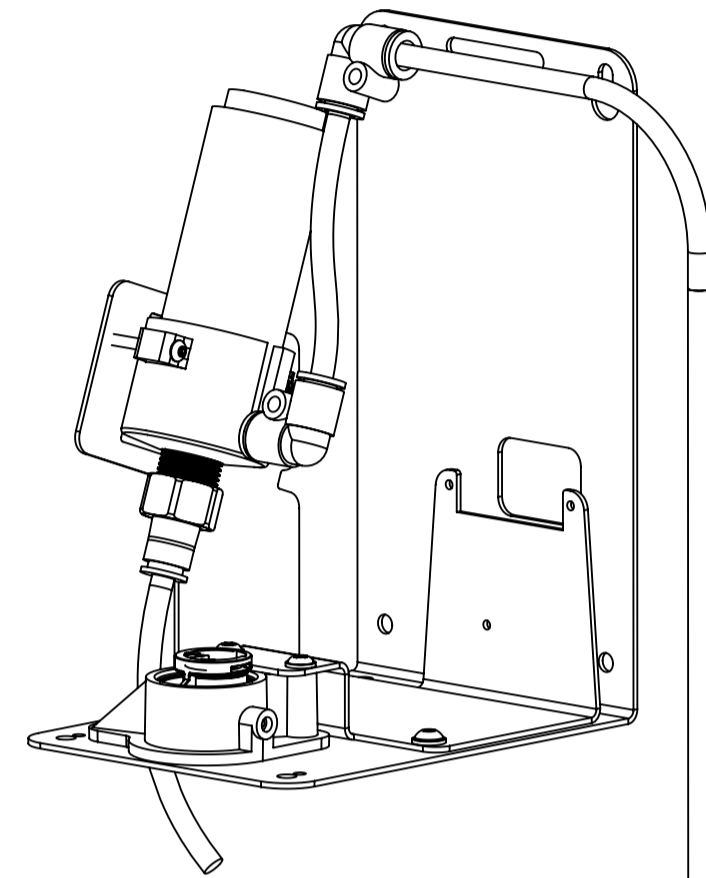


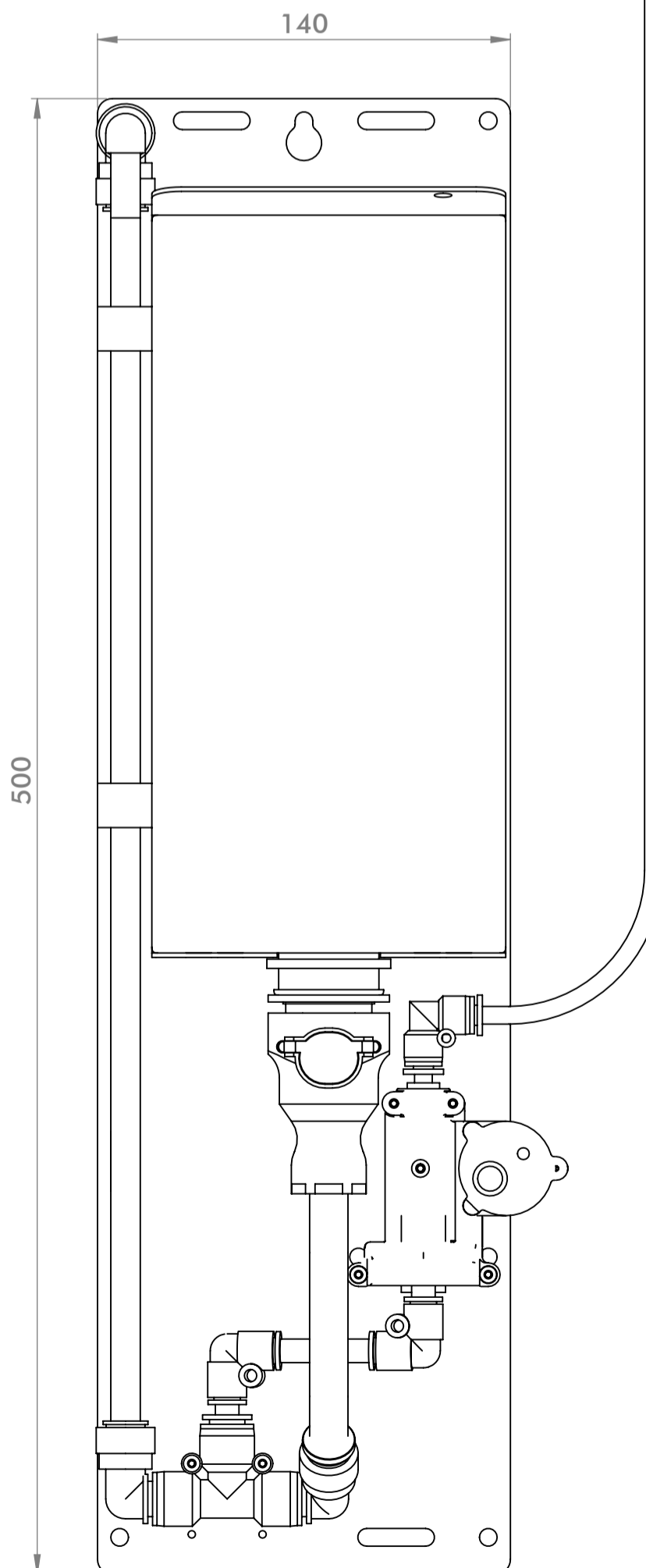
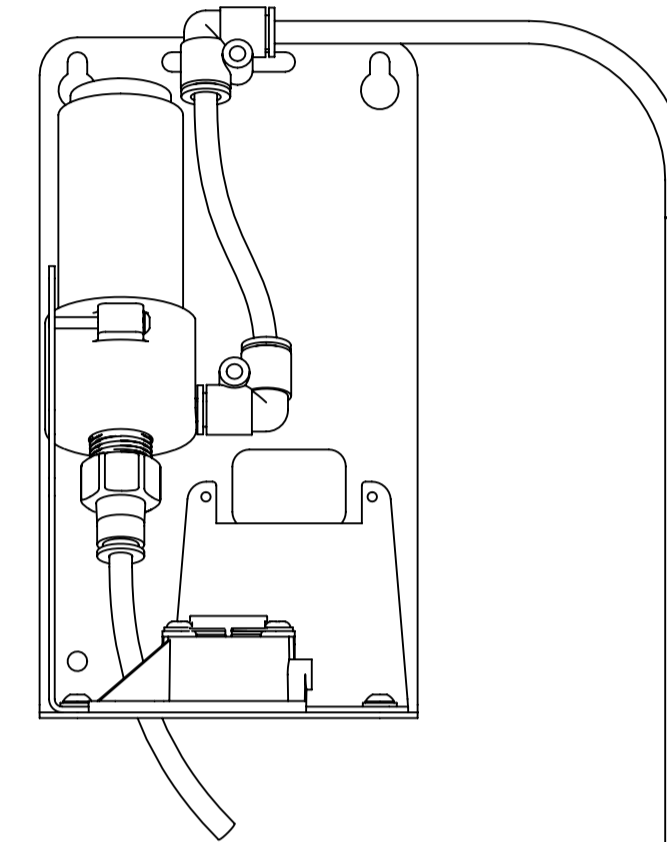
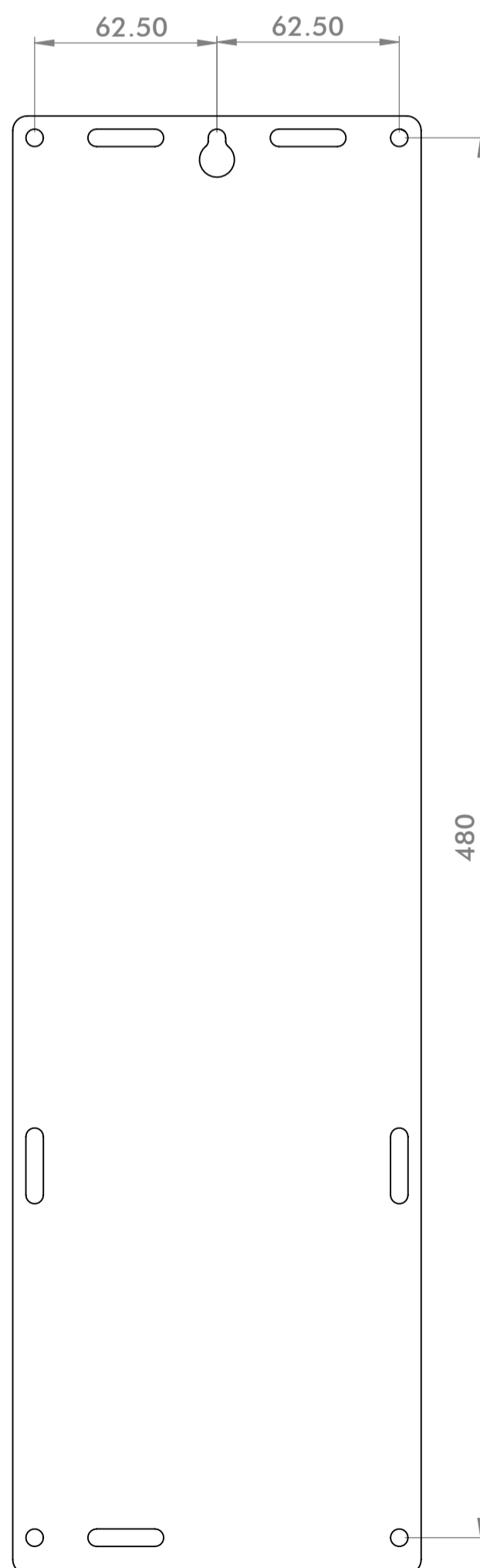
DOLPHIN SOLUTIONS LIMITED

DOLPHIN FOAM CARTRIDGE & DISPENSER

BEHIND MIRROR DISPENSER
WELL COMPLIANT - V2 2018 IWB1 - SECTION W08 HANDWASHING PART 2A

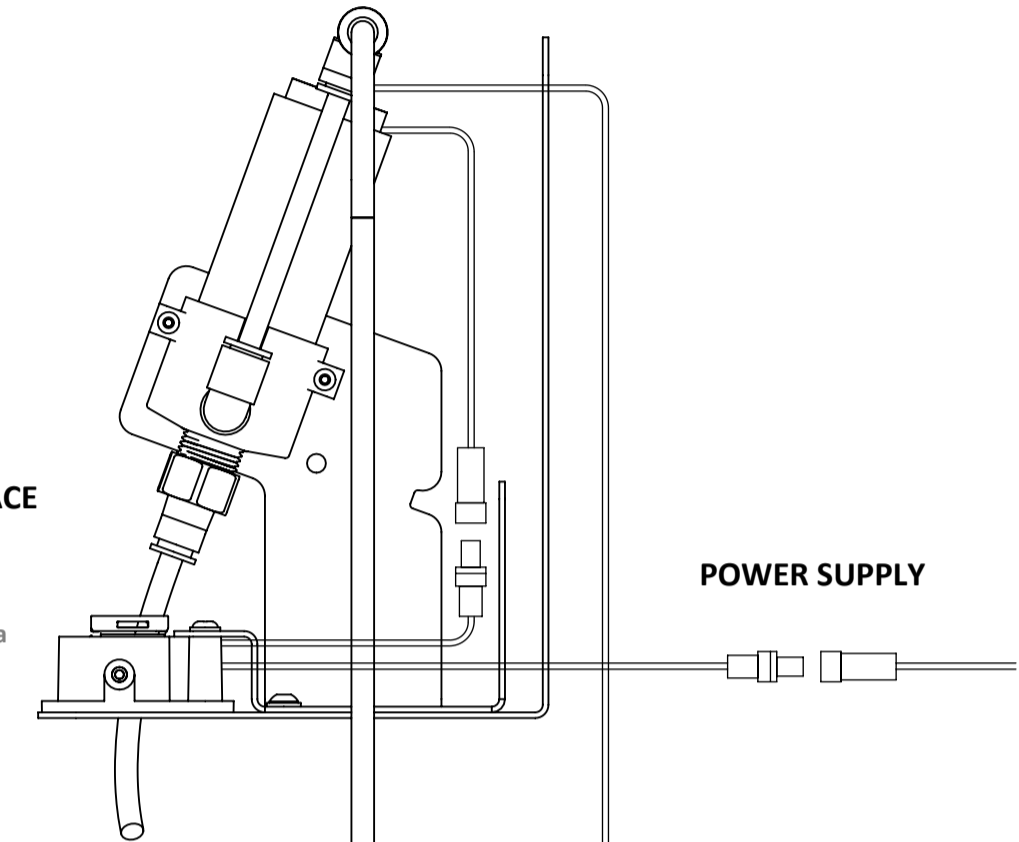


FIXING HOLES
USE KEYHOLE TO INITIALLY MOUNT WITH ONE FIXING
DO NOT PRINT - NOT FOR USE AS TEMPLATE
ALL HOLES Ø6 MM

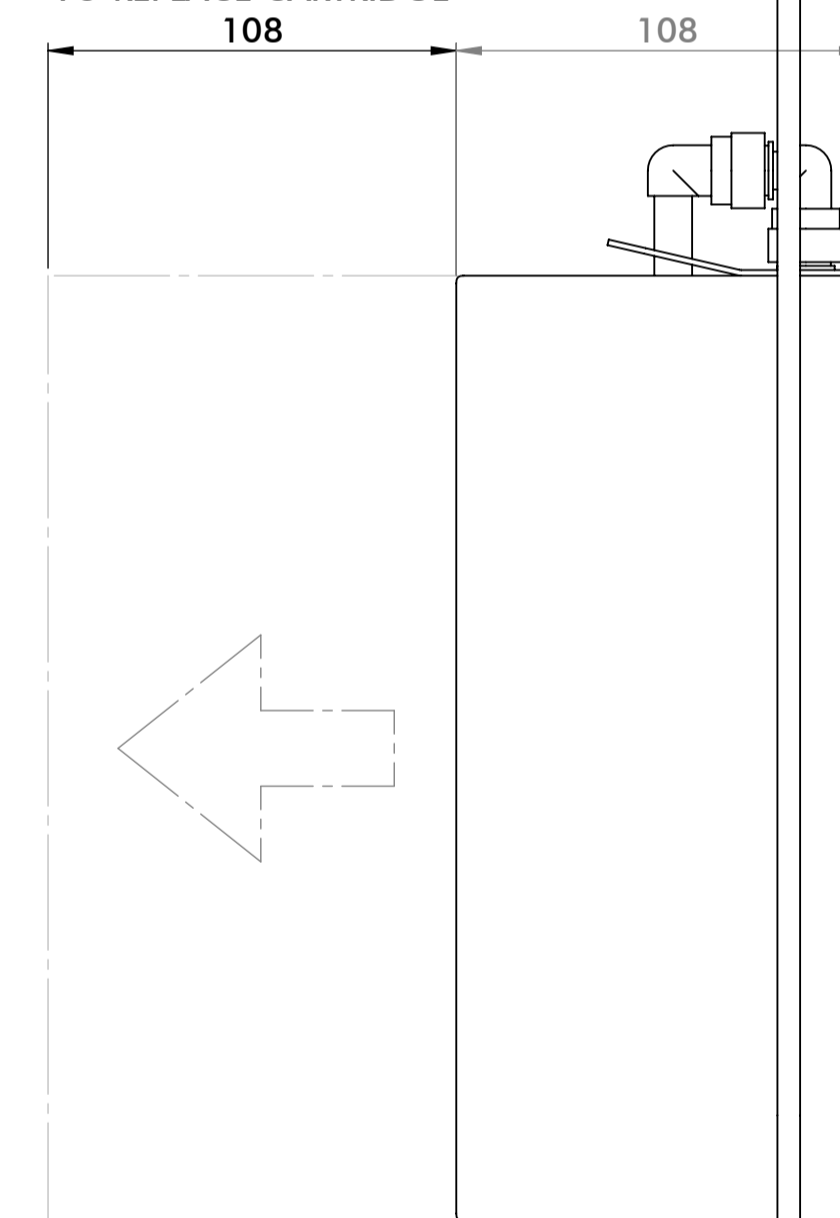


***MINIMUM 300MM
FROM SENSOR TO SURFACE
BENEATH**

***NOTE:** In certain circumstances less than 300mm is possible but a mock-up is recommended to ensure correct operation.



**REQUIRED CLEARANCE
TO REPLACE CARTRIDGE**



Tel: +44 (0) 1424 202 224
info@dolphinsolutions.co.uk
www.dolphinsolutions.co.uk

DO NOT
SCALE
DRAWING
DIMENSIONS
ARE IN
MILLIMETRES



IF IN DOUBT ASK
© DOLPHIN SOLUTIONS LTD
THIS DRAWING MAY NOT BE COPIED
OR DISCLOSED WITHOUT PERMISSION