

DBI675

# DOLPHIN WALL MOUNTED TAP

---

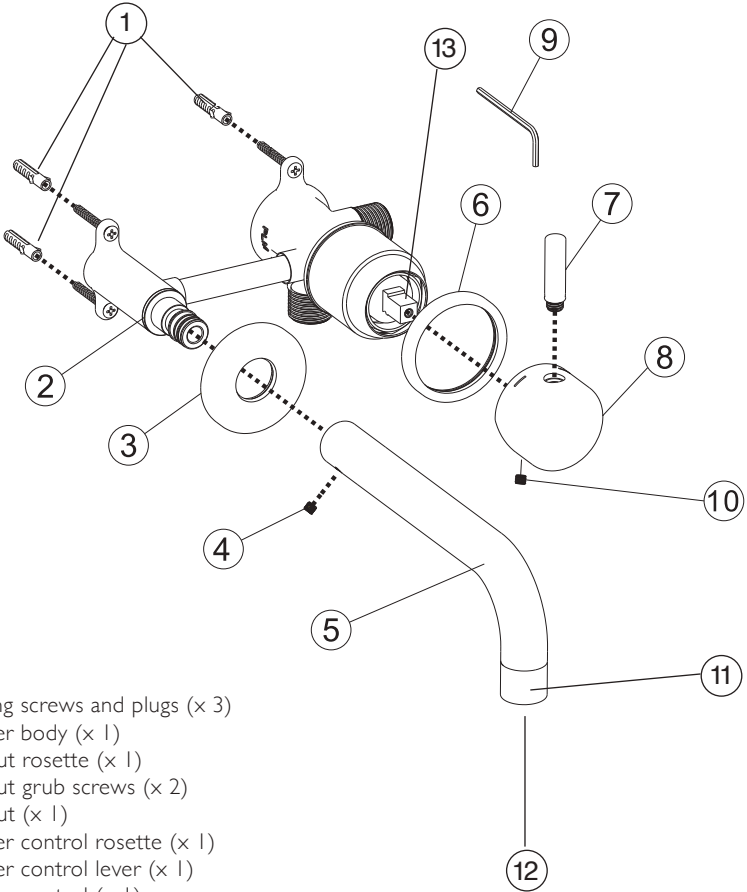
INSTALLATION AND MAINTENANCE GUIDE



# PARTS LIST

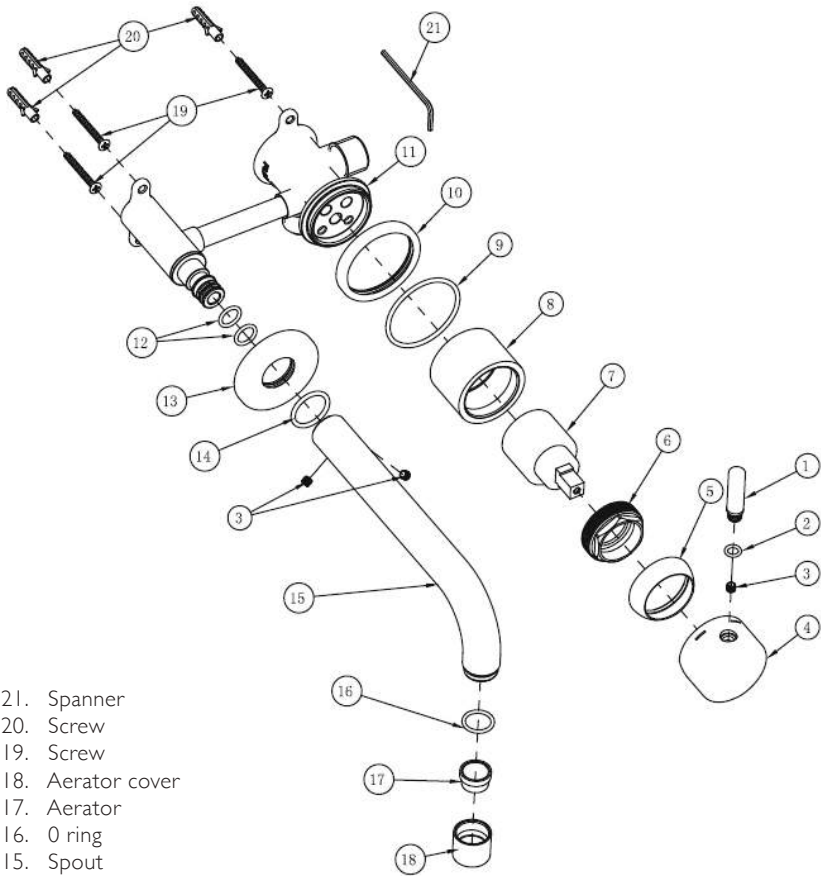
## IMPORTANT

READ CAREFULLY BEFORE INSTALLING PRODUCT



1. Fixing screws and plugs (x 3)
2. Mixer body (x 1)
3. Spout rosette (x 1)
4. Spout grub screws (x 2)
5. Spout (x 1)
6. Mixer control rosette (x 1)
7. Mixer control lever (x 1)
8. Mixer control (x 1)
9. 2.5mm hex key (x 1)
10. Mixer control grub screw (x 1)
11. Aerator housing (x 1)
12. 1.0 gallons per minute aerator DB423058000 (x 1)
13. Cartridge

## ADDITIONAL PARTS LIST



- 21. Spanner
- 20. Screw
- 19. Screw
- 18. Aerator cover
- 17. Aerator
- 16. O ring
- 15. Spout
- 14. Oring
- 13. Cover
- 12. Oring
- 11. Body
- 10. Cover
- 9. Oring
- 8. Cover ring
- 7. Cartridge
- 6. Screw nut
- 5. Cover
- 4. Handle
- 3. Inner hexagon screw
- 2. Oring
- 1. Handle bar

# PRE INSTALLATION

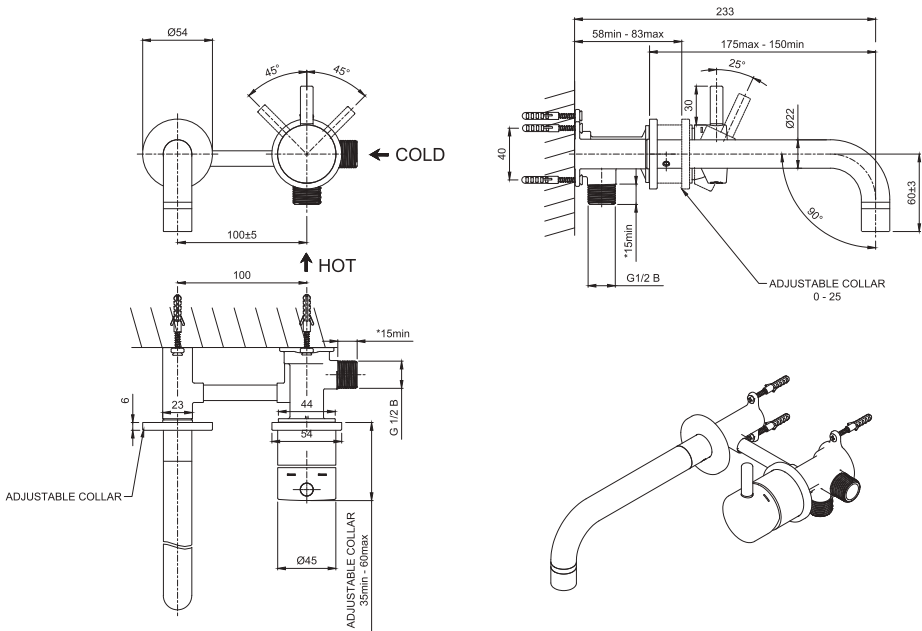
## WATER PRESSURE

This mixer is suitable for use at all supply pressures. However for optimum use both the hot and cold supplies should be reasonably balanced.

If the fitting is installed at low pressure (tank fed), then the minimum distance from the outlet of the nozzle to the underside of the cold tank should be approximately two metres to ensure adequate performance.

This mixer should be installed in compliance with water regulations. Where the supplies are from the mains or are unbalanced, ie hot water from the cylinder tank/cold from the mains, approved check valves must be fitted in the supply pipes. For further details contact your Local Water Authority.

Check minimum and maximum dimensions (check drawing)



# INSTALLATION

1. Place the mixer body (2) into the wall cavity and screw to supporting member or wall using the fixing kit (1) provided.
2. Connect the water supplies to the 15mm compression fittings on the mixer body following the hot and cold markings. The cold connection is on the right and the hot on the underside when viewed from the front.
3. Before finishing wall, temporarily fit spout (5) and mixer control (8) and fully open the mixer letting it run for a few minutes, check all joints and connections for leaks
4. Remove spout and mixer control then fit the final wall finish.
5. Fit mixer control (8) ensuring temperature markings face upward and secure with grub screw (10)
6. Fit mixer control rosette (6) then fix mixer control lever (7)
7. Fit spout (5) and secure with grub screws (4).

## TROUBLE SHOOTING

If the tap begins to drip:

1. Turn off the water supply
2. Unscrew the lever (2) and loosen grub screw (3)
3. Pull of lever and then main part of handle (4)
4. Using suitable tool (28mm A/F) remove cartridge retaining nut carefully remove the cartridge, and clean the seal and setting
5. Replace components and turn on the water supply
6. Call 01424 202224 for support

## MAINTENANCE

1. Use a soft cloth with proprietary stainless steel cleaning product
2. Do not use any corrosive or abrasive cleaning agents containing acid or scouring agents

## WARRANTY

If the tap begins to drip:

1. 5 year warranty on tap cartridge
2. 10 year warranty on manufacturing defects



**DOLPHIN**

Dolphin Solutions  
Southpoint, Compass Park,  
Junction Road  
Bodiam, TN32 5BS,  
United Kingdom

T +44 (0)1424 202 224  
[info.uk@dolphinsolutions.com](mailto:info.uk@dolphinsolutions.com)  
[www.dolphinsolutions.com](http://www.dolphinsolutions.com)  
© Dolphin Solutions