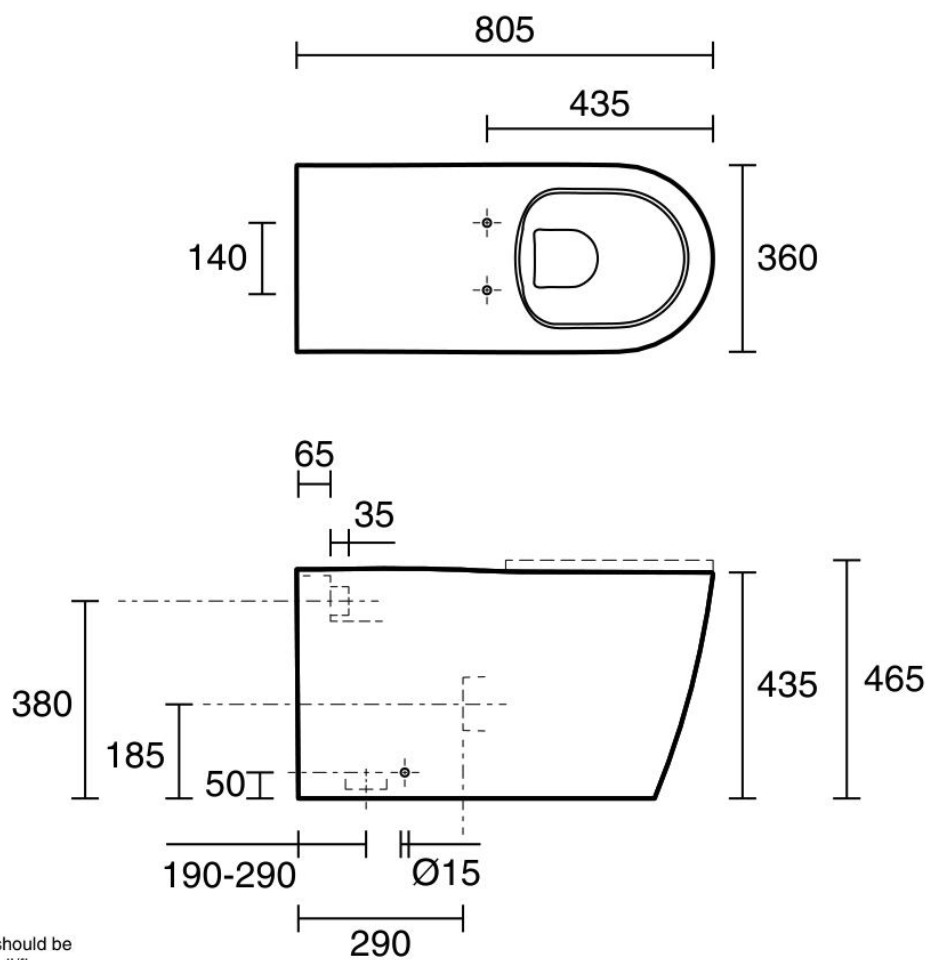


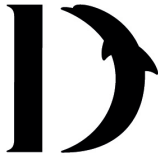


# DC2006DDA Floor mounted toilet pan and seat

## DC2006DDA Floor mounted toilet pan and seat



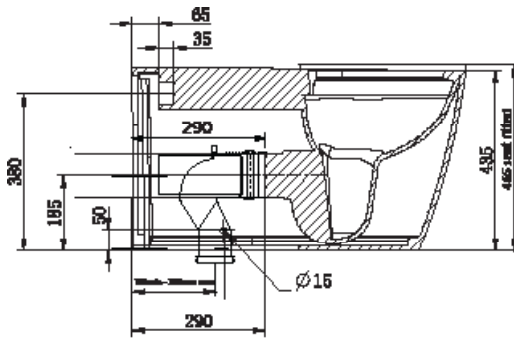
Note: All measurements should be taken from the finished wall/floor



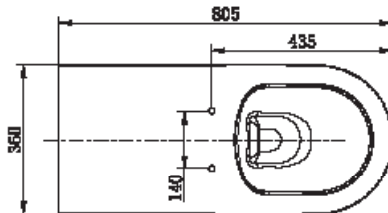
DOLPHIN

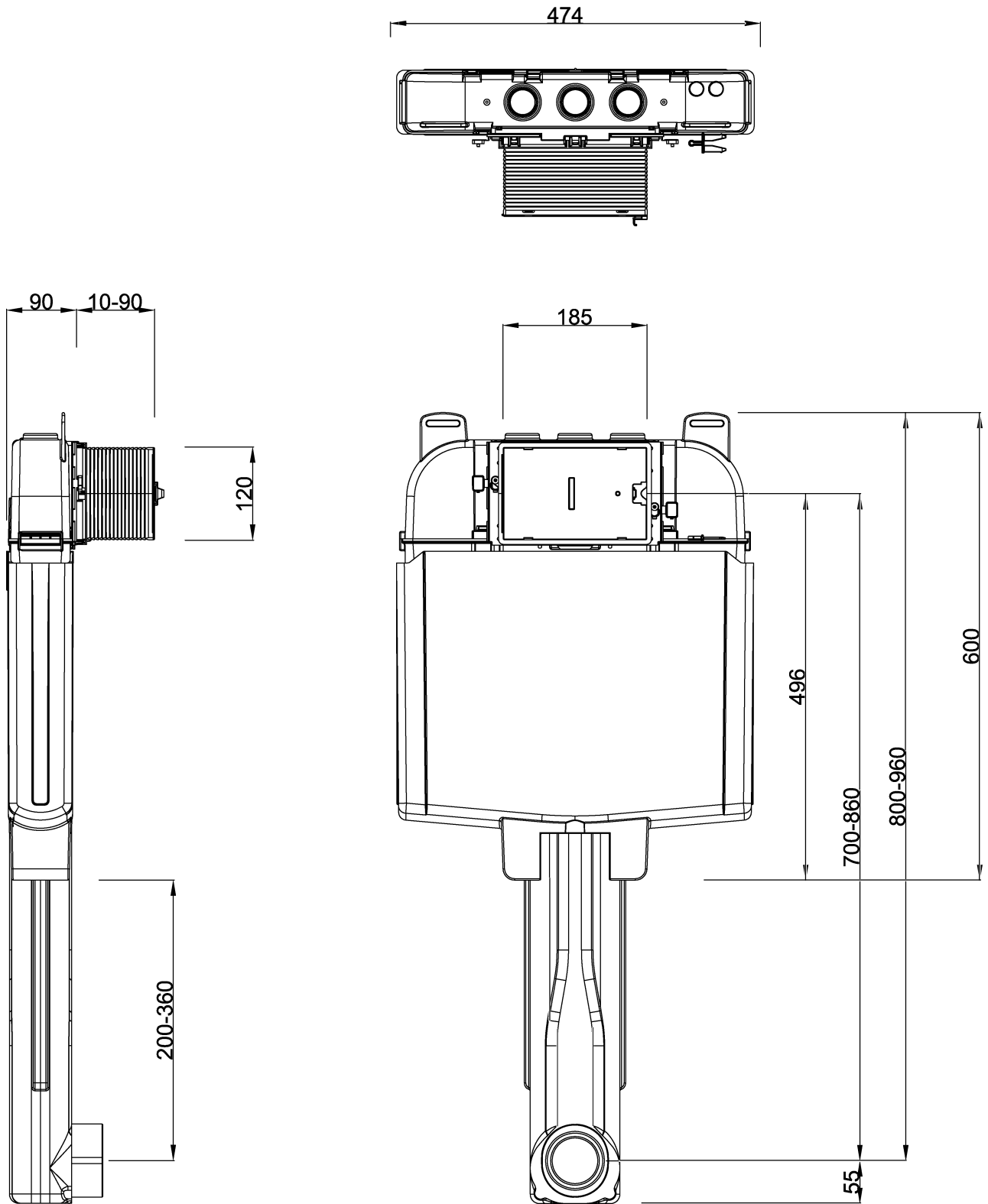
---

## INSTALLATION INSTRUCTIONS



Note: All measurements should be taken from the finished wall/floor

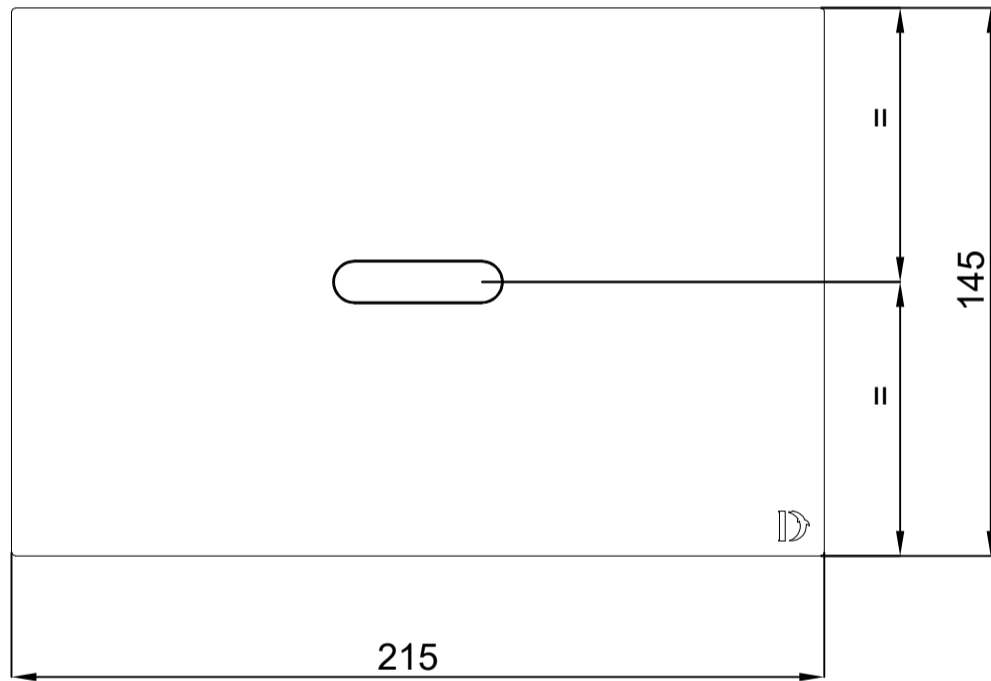
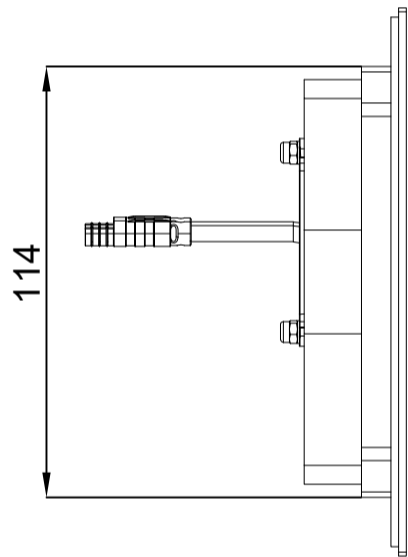
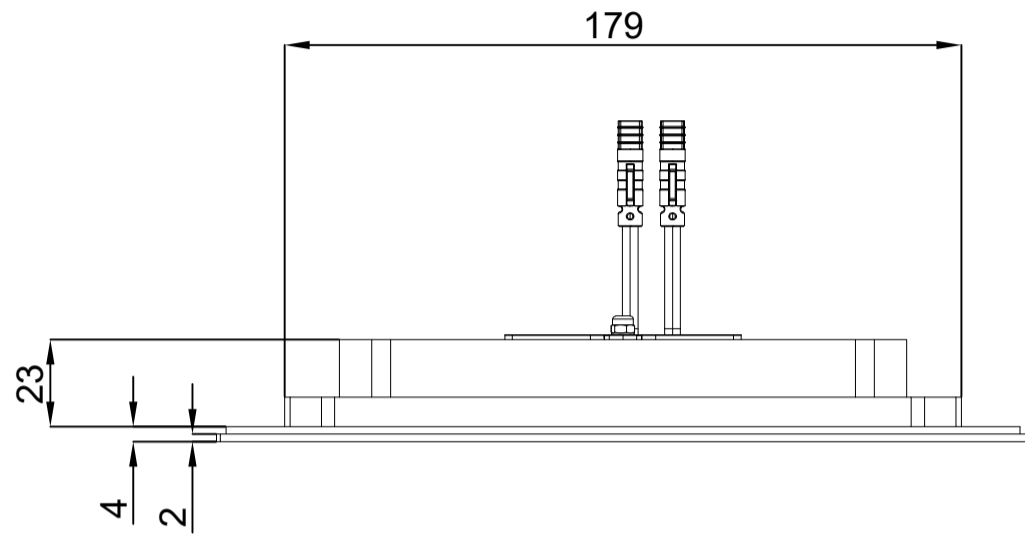




DOLPHIN SOLUTIONS LIMITED  
 DOLPHIN SLIMLINE ELECTRONIC CISTERN - FRAMELESS  
 DB5500.E.AU



DOLPHIN



DOLPHIN SOLUTIONS LIMITED  
 ELECTRONIC FLUSH PLATE  
 FOR TILED WALLS WITHOUT ACCESS PANEL  
 DB5580.E

