

BCL636

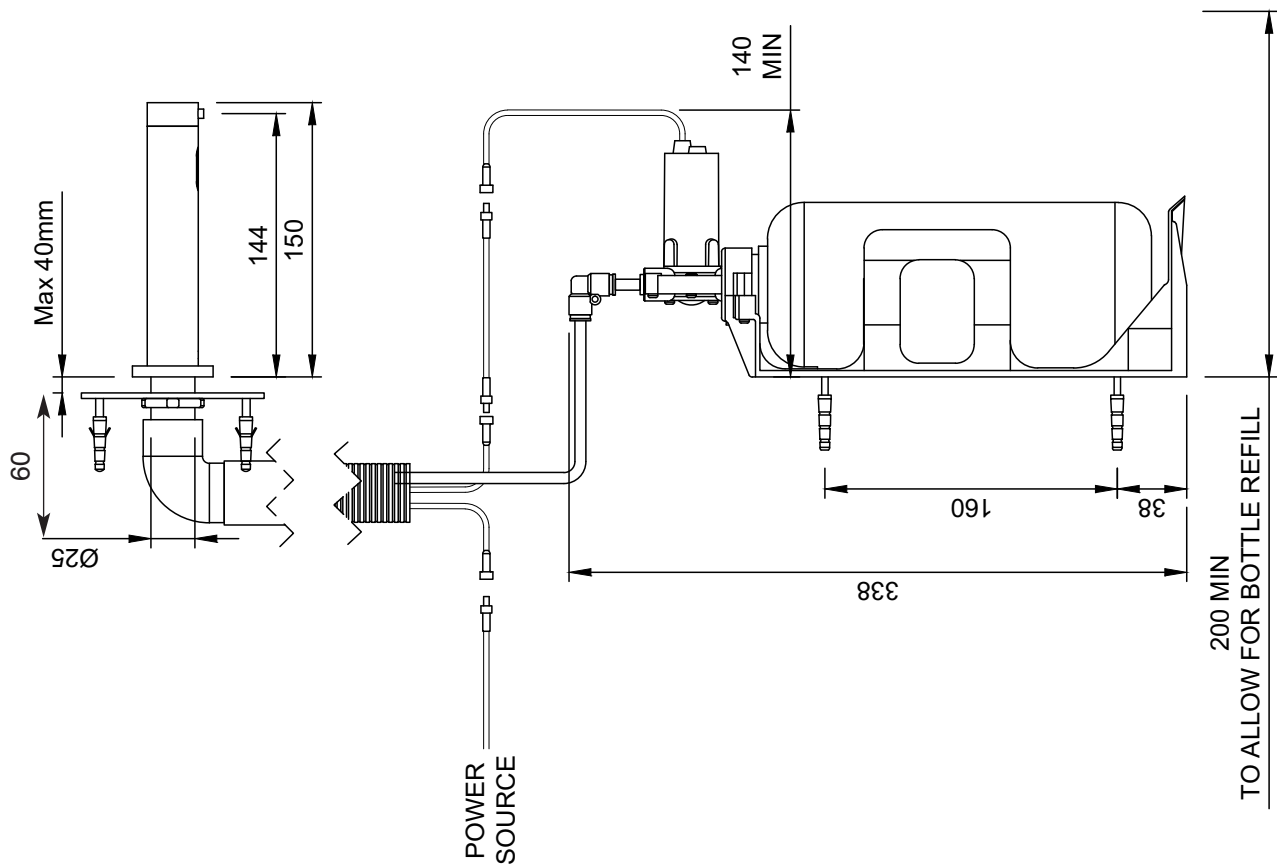
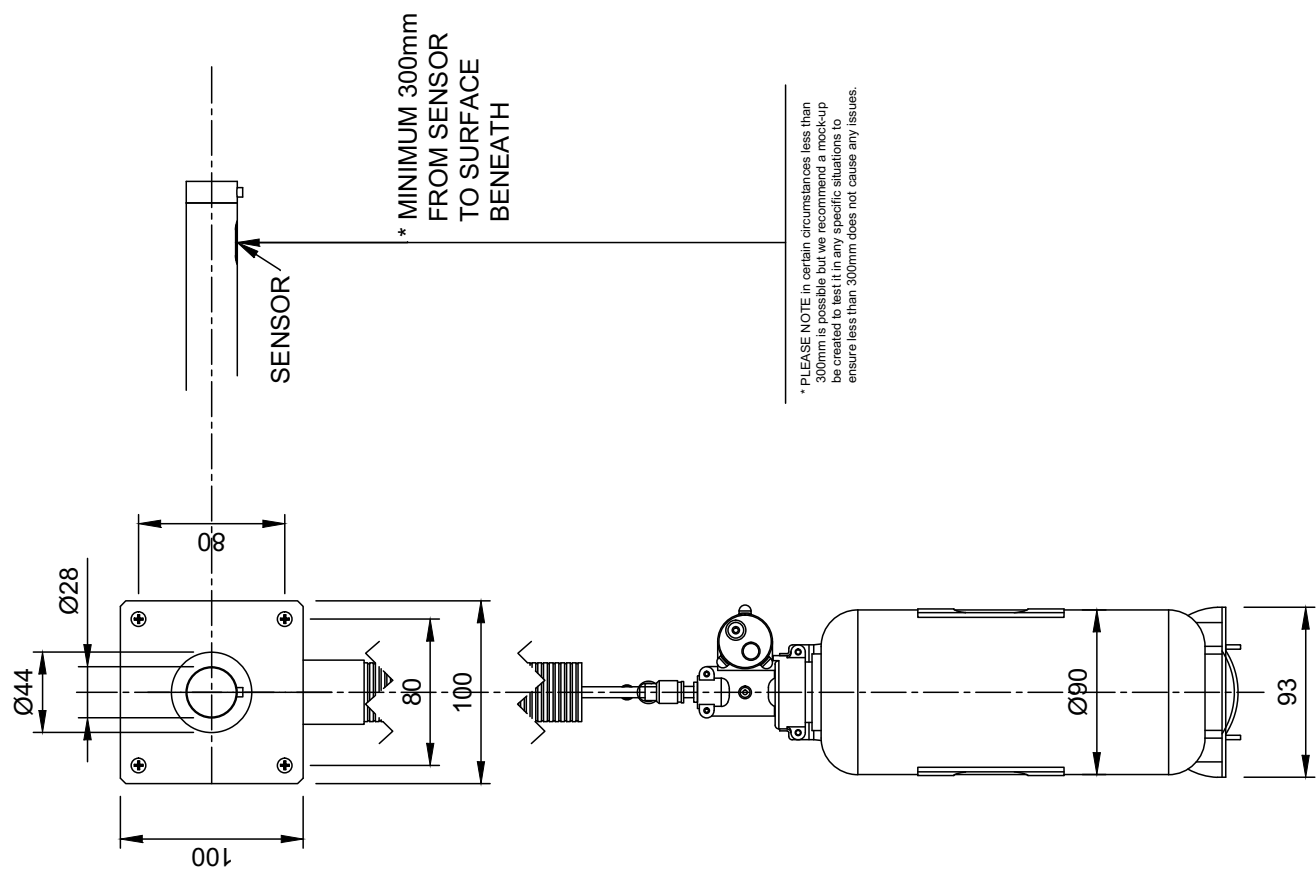
DOLPHIN WALL PLATE MOUNTED INFRARED SOAP DISPENSER

- › Electronic soap dispenser activated by an infrared sensor. When the user places his hand within the sensor range, the soap dispenser delivers the soap.
- › Soap Drop Portions: 0.7-0.9ml per drop portion (this is adjustable and depends on viscosity of soap)
- › High quality polished chrome or brushed nickel-finish brass construction
- › Soap Container – 1,000ml
- › 2 year guarantee
- › Powered by 9v Transformer
- › Wall Mounted
- › Designed to match Dolphin Blue **DB400** and **DB1400** range taps
- › Important: please contact Dolphin Technical Helpline 01424 202224 /consult fitting instructions for design guidance
- › Settings can be adjusted with a remote control (**DB52**)
- › For panel mounted version see **BCL632**
- › Power connections: soap dispenser: female / power source: male
- › Draws maximum current of 0.5A at sensor activation
- › To match this wall plate mounted soap dispenser with a wall plate mounted tap, we recommend out **DS102** & **DS104** InForm sensor taps.
- › Suitable for Hand Sanitiser

LENGTH	144 MM
DIAMETER	28 MM
CAPACITY	1000 ML

PRODUCT CODES

- › **BCL636C** Polished finished
- › **BCL636S-2** Brushed finish
- › **BCL636-316** 316 Stainless Steel
- › **BCL636C-BTRY** Polished finished - Battery Powered
- › **BCL636S-2-BTRY** Brushed finish- Battery Powered
- › **BCL636-316-BTRY** 316 Stainless Steel- Battery Powered



BCL636

DOLPHIN WALL PLATE MOUNTED INFRARED SOAP DISPENSER